



TECHNICAL CATALOGUE

AQUARIUS STELLA GLOBE



SUMMARY

AQUARIUS

- ▶ 1. GENERAL FEATURES

STELLA

- ▶ 3. GENERAL FEATURES

AQUARIUS AND STELLA

- ▶ 5. TECHNICAL DATA
- ▶ 5. SELF SEALING TAIL PIECE
- ▶ 6. CONVERSION
- ▶ 7. PRESSURE DROP DIAGRAM

GLOBE

- ▶ 8. GENERAL FEATURES
- ▶ 9. TECHNICAL DATA
- ▶ 10. VALVE CONNECTION
- ▶ 11. INSTALLATION OF THERMOSTATIC HEAD
- ▶ 13. REVERSE APPLICATION
- ▶ 14. LOCK AND LIMIT FACILITY
- ▶ 16. PRESSURE DROP DIAGRAM AND POSITIONING OF THE SENSOR
- ▶ 16. MAINTENANCE
- ▶ 20. CATALOGUE



TECHNICAL CATALOGUE

AQUARIUS
STELLA
GLOBE

AQUARIUS

▸ General features

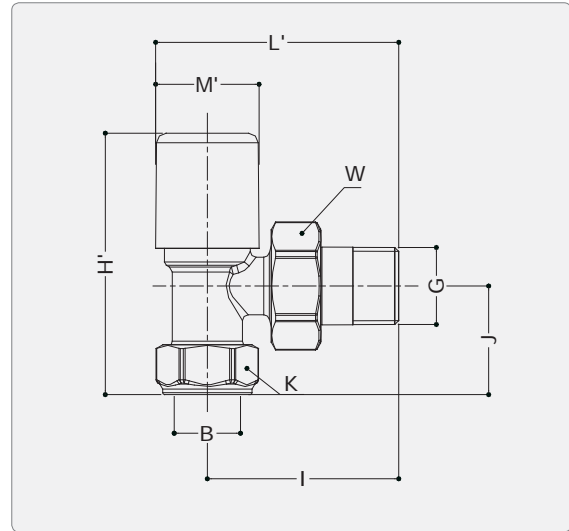
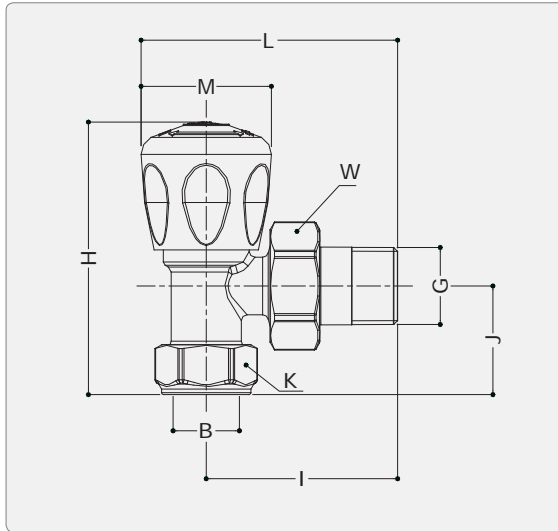
Aquarius, one of the internationally famed Giacomini range of quality products, is a non-rising spindle valve with interchangeable head, supplied with handwheel fitted and separate cap for conversion to Lockshield. A special feature of the Aquarius design is the particularly neat, modern appearance and compact dimensions.

Following material testing, each Aquarius is subjected to pressure testing. Additionally, pre-determined quantities are then withdrawn at random from the production line for fatigue tests. This carried out by continually repeating opening and closing to simulate the worst working conditions.

R26GB is available in 8, 10 and 15 mm sizes to suit compression connection to copper tube.

R28GB is available only in 15 mm size.

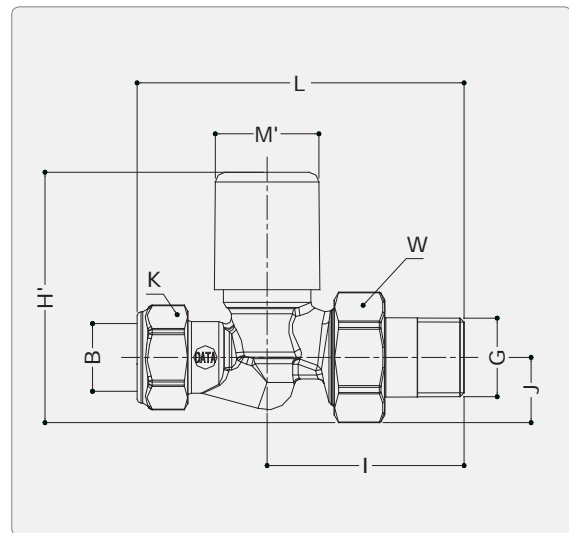
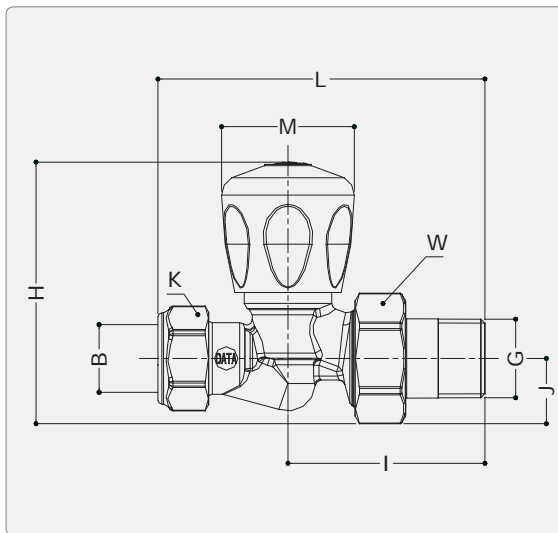




R26GB

PART NUMBER	G x B	H	H'	I	J	L	L'	M	M'	K	W
R26GBX021	1/2" x 8	70	67	50	29	67	64	34	27	24	30
R26GBX022	1/2" x 10	70	67	50	29	67	64	34	27	24	30
R26GBX023	1/2" x 15	70	67	50	29	67	64	34	27	24	30

2



R28GB

PART NUMBER	G x B	H	H'	I	J	L	M	M'	K	W
R28GBX021	1/2" x 15	65	62	51	17	84	34	27	24	30



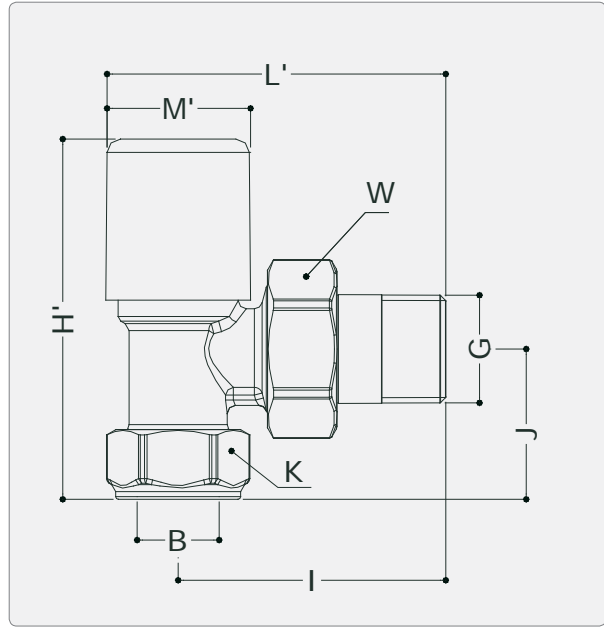
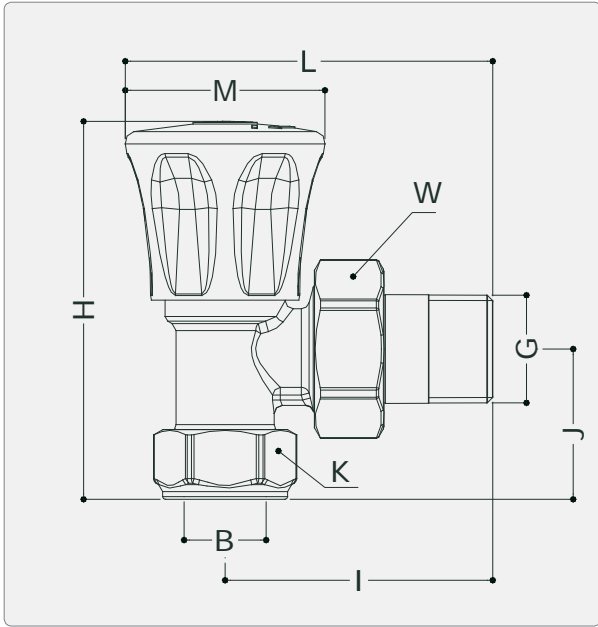
**TECHNICAL CATALOGUE**AQUARIUS
STELLA
GLOBE**STELLA****▸ General features**

As part of the internationally famed Giacomini range of quality products, Stella is a neat and compact radiator valve with rising spindle and interchangeable head, supplied with handwheel fitted and separate cap for conversion to Lockshield. Reliability is the key note, with 100% testing during production.

Each valve is subjected to pressure testing and individual valves are then taken at random from the production line for fatigue tests.

R726 is available in 8, 10 and 15 mm sizes to suit compression connection to copper tube.

**R726**



R726

PART NUMBER	G x B	H	H'	I	J	L	L'	M	M'	K	W
R726X021	1/2" x 8	70	66	50	26	69	64	37	28	24	30
R726X022	1/2" x 10	70	66	50	26	69	64	37	28	24	30
R726X023	1/2" x 15	70	68	50	28	69	64	37	28	24	30



TECHNICAL CATALOGUE

AQUARIUS
STELLA
GLOBE

AQUARIUS AND STELLA

▸ Technical data

Body, tailpiece and nut made in forging brass CW617N EN 12165
 Durable satin chrome, or brass finish available to order
 Self sealing tail piece, designed for Allen key installation
 Ring seal on spindle and PTFE packing gland (Acquarius) or EP gland seal (Stella)
 Metal seating between valve body and spindle
 Wheelhead with fluted design for ease of operation
 Wheelhead and Lockshield heads fully interchangeable
 Wheelhead and Lockshield both in ABS, with modern white finish
 Compression and complies fully with BS 864-2
 ½ inch x 8, 10, 15 mm connectors for copper tube

Maximum working temperature of 110°C (230°F)

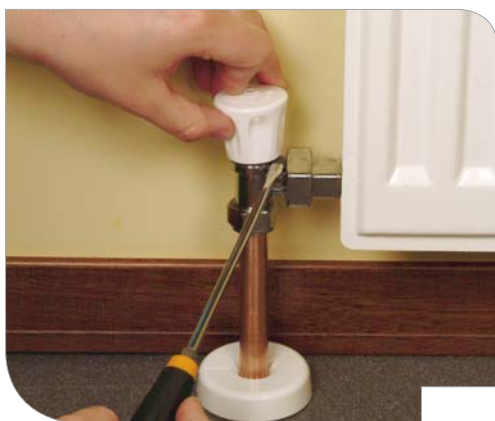
Maximum working pressure of 10 bar (145 psi)

▸ Self sealing tail piece

As proof of constant attention to the market exigencies, Giacomini has implemented the self-sealing concept, during long studies and tests at its technological laboratories. The sealing ring on the conical part of the tail piece allows the installation, without forcing the tightening of the union nut between body and tail piece. By carefully following some easy instructions, you can quickly carry out practical and reliable installations. The Giacomini self-sealing tail piece is supplied with a tightening element made of elastomer material, that prepares it for the assembly on heat source without use of hemp, paste or other tightening elements. For a correct and quick assembly, we recommend you to slightly lubricate the thread before screwing. The screwing phase shall be carried out by means of the specific R73 13mm hexagonal Allen key. Given the presence of the tightening element made of elastomer material, it will be sufficient to apply a torque not higher than 25 Nm.



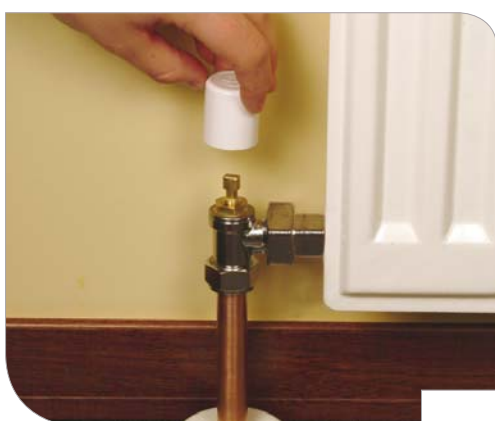
► Conversion



1. The Handwheel can be removed by using a screwdriver as shown.



2. Using a suitable spanner adjust to the required setting.



3. Refit the Lockshield cap as shown.



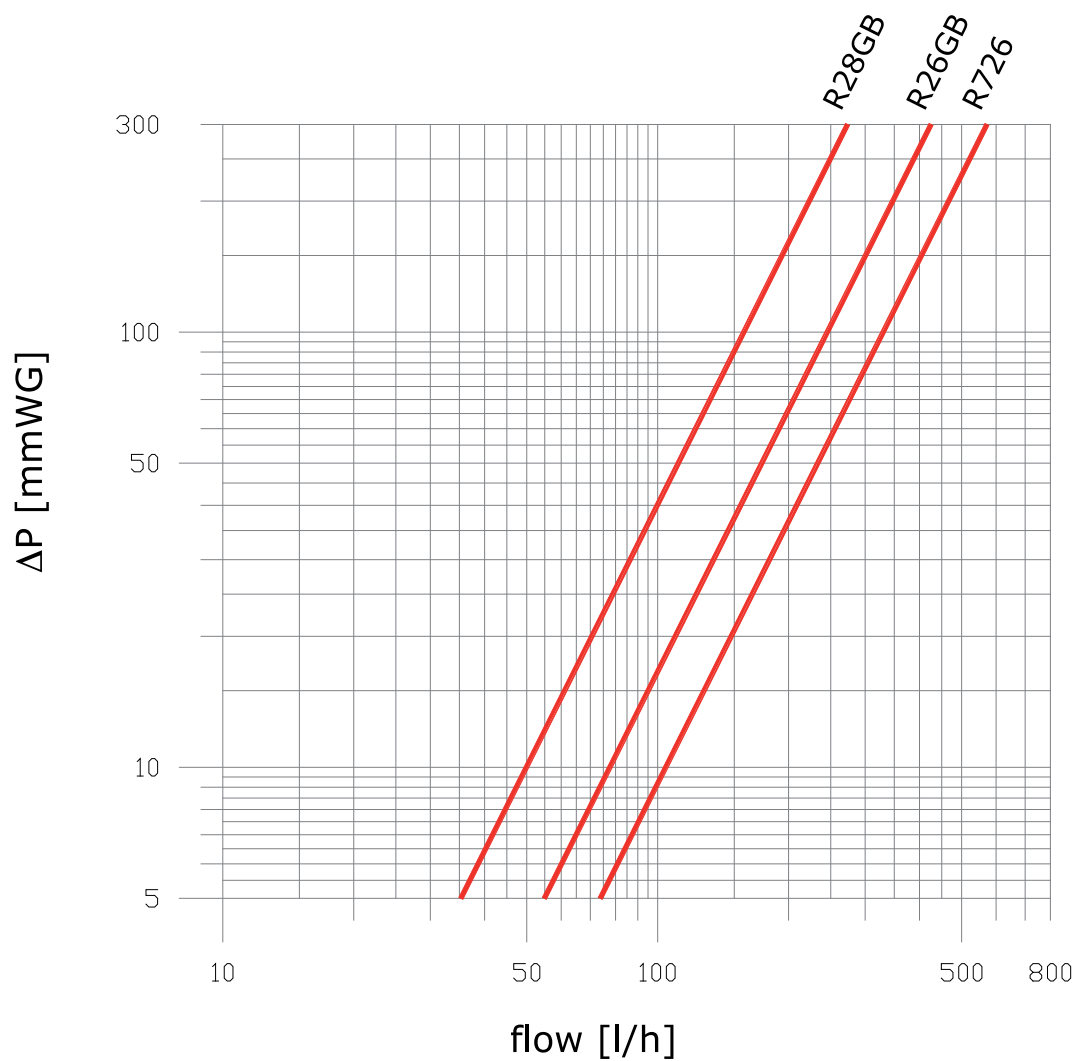
4. Final position.



TECHNICAL CATALOGUE

AQUARIUS
STELLA
GLOBE

► Pressure drop diagram



	Kv
R26GB	2,46
R28GB	1,58
R726	3,3

GLOBE

▸ General features

The Globe packaging include a fully reversible angle valve with reduction set (8, 10 or 15 mm) and the thermostatic head R470. Said thermostatic head with liquid sensor having a low hysteresis, and a handwheel divided into 5 numbered positions.

There is also a special head to body connection patented as SNAP-ON.

The working range is from 8°C (46°F) to 32°F (90°F).

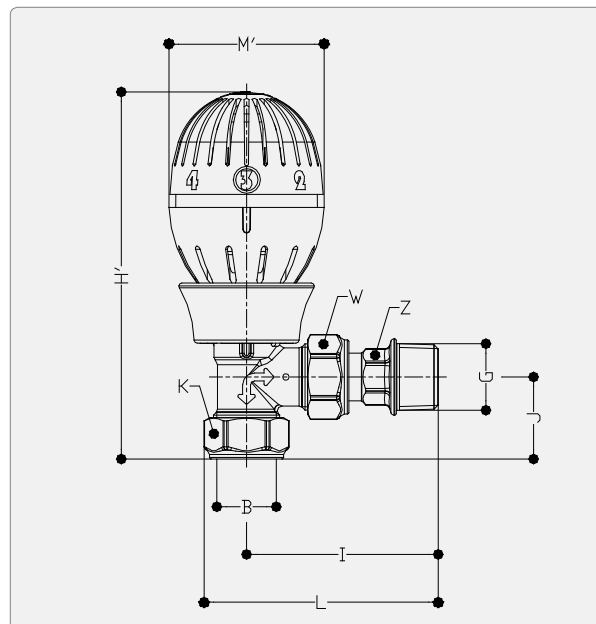
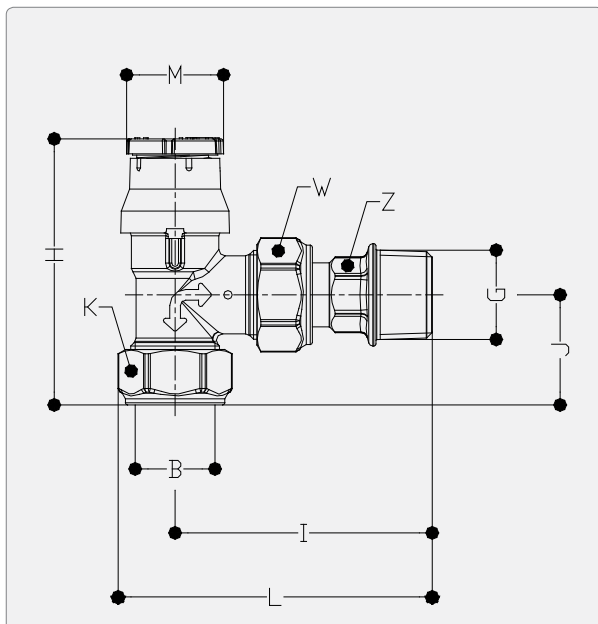
The valve is fully reversible and can be fitted on the flow or return as required.



R446Z Complete full reversible angle valve + thermostatic head



TECHNICAL CATALOGUE

AQUARIUS
STELLA
GLOBE

R446Z

PART NUMBER	G x B	H	H'	I	J	L	L'	M	M'	K	Z
R446ZX023	1/2" x 15	66	114	61	26	74	85	23	48	24	16

▸ Technical data

Chrome upon nickel plating valve body finishing
 Maximum working temperature of 110°C (230°F)
 Maximum working pressure of 10 bar (145 psi)
 Maximum differential pressure of 1,4 bar (20 psi)

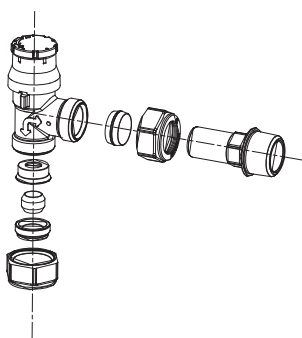
Thermostatic head R470 ambient temperature range:

- frost protection (position) – 8°C (46°F)
- position 3 – 20°C (68 °F)
- fully open (position) – 32°C (90°F)

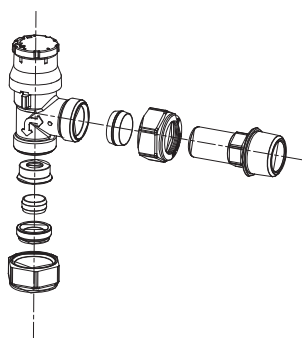
An added feature is the safety cap, which incorporates a screw-top to provide total shut-off during redecoration or radiator replacement.

▸ Valve Connection

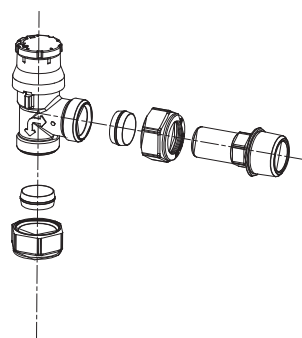
The valve is supplied with reducing set in order to connect different sizes (8, 10 or 15 mm) copper pipe, as showed on the below image.



Reducing Set For
8 mm Copper Pipe



Reducing Set For
10 mm Copper Pipe



Reducing Set For
15 mm Copper Pipe

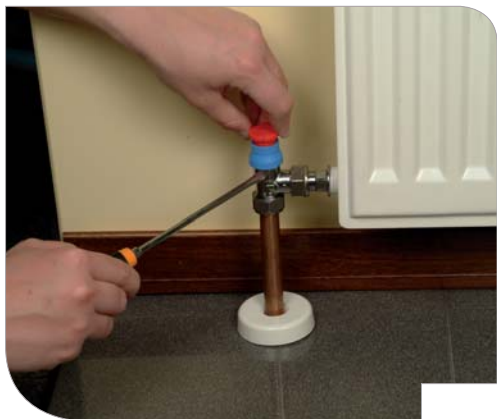
The connection to the radiator is $\frac{1}{2}$ " and needs the laying of tape or other sealants on the tail piece.



TECHNICAL CATALOGUE

AQUARIUS
STELLA
GLOBE

► Installation of thermostatic head

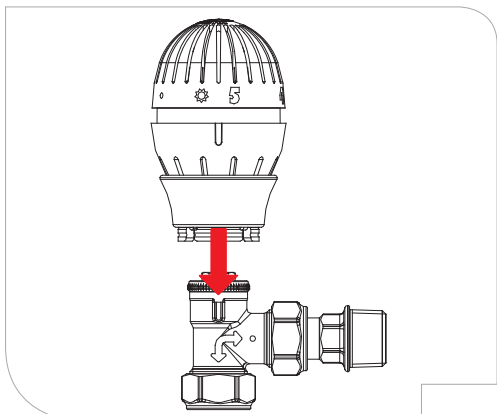


1. The shut-off cap can be removed by using a screwdriver as shown.

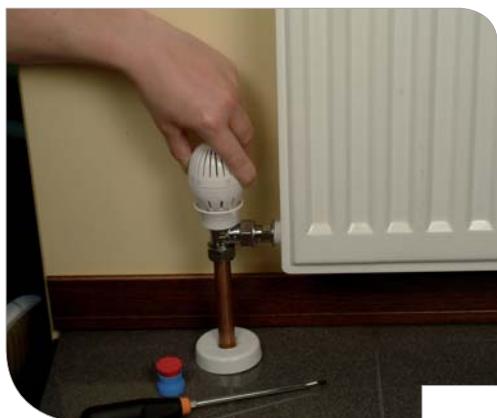


2. Open the head by turning the hand wheel beyond position 5.

11

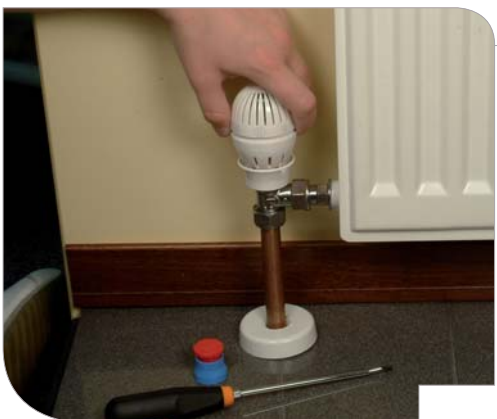


3. Fasten the head to the valve body, ensuring the half moon shaped recess aligns with the notches of the body.



4. By fully closing the head, it is automatically fixed to the valve body.

12



5. The head can be set to the required position.



TECHNICAL CATALOGUE

AQUARIUS
STELLA
GLOBE

▸ Reverse application



1. When the valve is installed in a reverse position, the thermostatic head can be applied with the same procedure mentioned previously.



▸ Lock and limit facility

In order to simplify the “lock and limit facility” procedure comprehension, the operations are showed with the head separated from the valve body.

Proceeding in this way, is not possible fasten the head to the body, so please **follow the “lock and limit facility” procedure with the head already fixed to the valve body.**

14



1. After having rotated the handle to the desired position remove by pulling it forward. In order to avoid loss of calibration of the thermostatic head, do not tamper with the position of the bulb for any reason.



2. In order to partially open or close the thermostatic head, remove the limitation clip from the seat or both clips to lock.

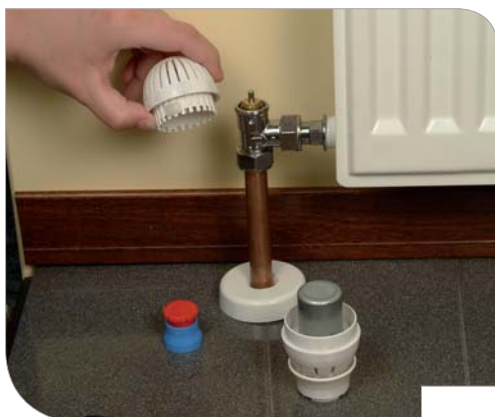


TECHNICAL CATALOGUE

AQUARIUS
STELLA
GLOBE



3. Partial opening is carried out by inserting the limitation clip in the cams present on the handle to the right to the desired number.



4. Partial closing is carried out by inserting the limitation clip in the cams present on the handle to the left of the desired number.



5. In order to lock the handle in the desired position, it is necessary to insert both limitation clips in the cams positioning them at the right and at the left of the chosen number.

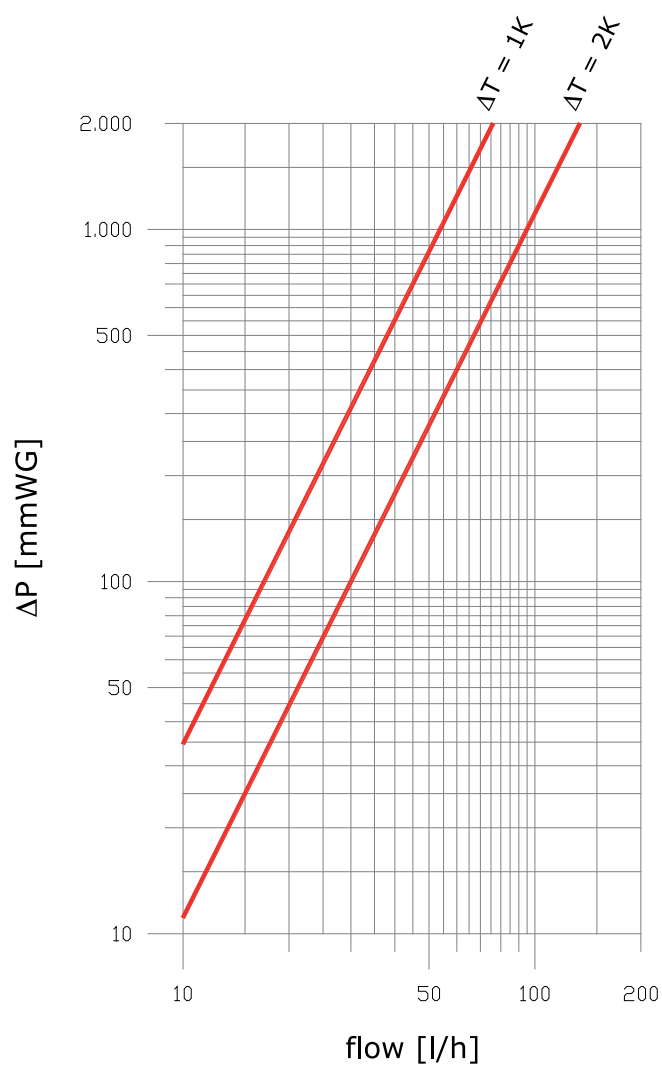
6. After the positioning of the limitation, reassemble the handle in the starting positioning.

▸ Pressure drop diagram and positioning of the sensor

The construction of the sensor head means that it can perform well mounted horizontally or vertically.

The temperature referred to above are guidelines and as with all TRV's greatest accuracy is obtained with the head mounted horizontally.

The sensor head should never be concealed or covered over.



	Kv
ΔT=1K	0,17
ΔT=2K	0,30



TECHNICAL CATALOGUE

AQUARIUS
STELLA
GLOBE

▸ Maintenances

Before removing radiator the shutoff cap must be re-fitted and fully closed or the system drained down.



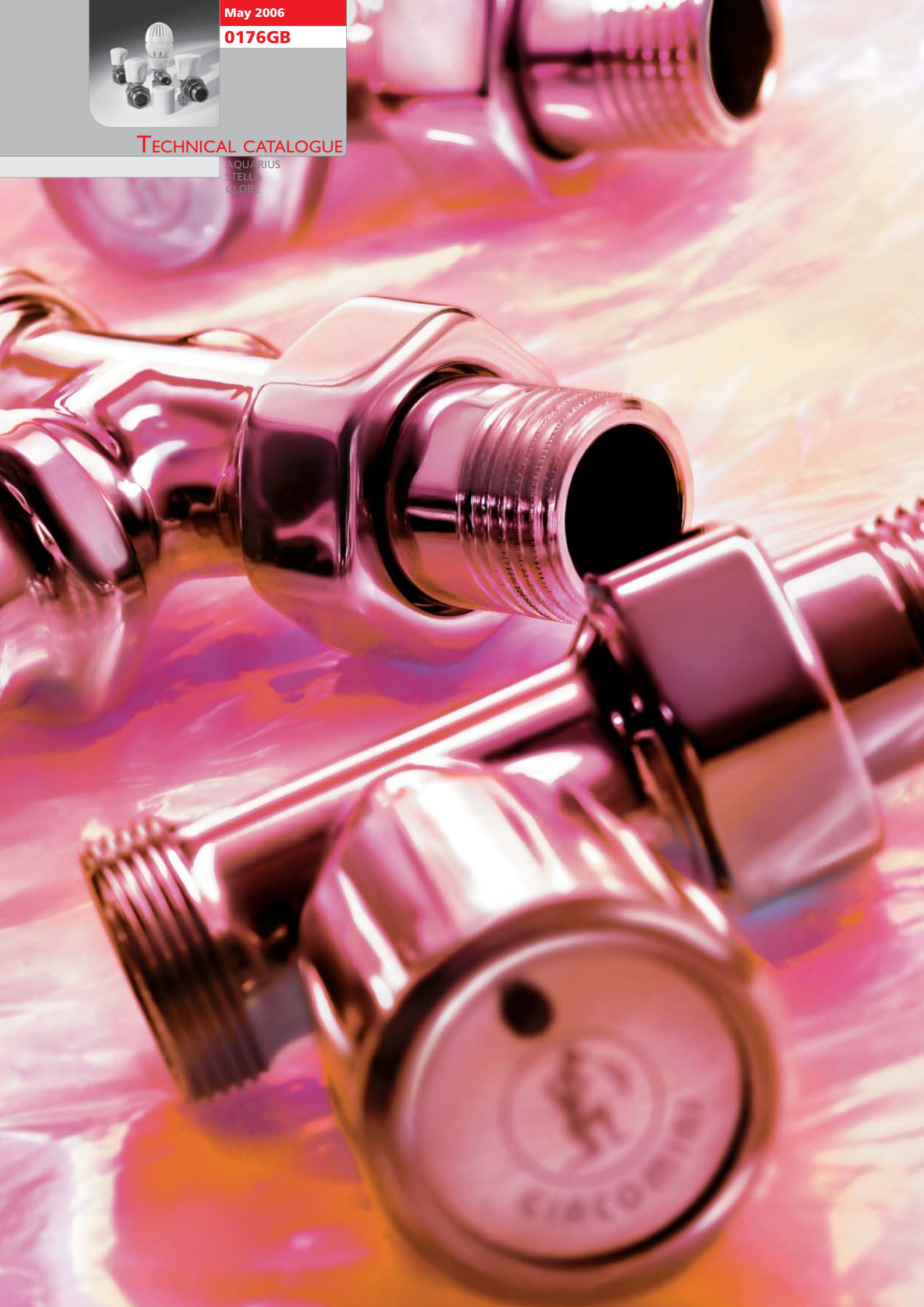
May 2006

0176GB



TECHNICAL CATALOGUE

AQUARIUS
STELLA
GLOBE



► Catalogue

T25C



► Angle manual valve for towel-dryer, **brilliant chrome plated**, with adaptor.

PART NUMBER	SIZE	□	⊞
T25CX053	1/2"x15	1	20

T27C



► Straight manual valve for towel-dryer, **brilliant chrome plated**, with adaptor.

PART NUMBER	SIZE	□	⊞
T27CX053	1/2"x15	1	20

20

T431C



► Angle thermostatic valve for towel-dryer, **brilliant chrome plated**, with adaptor.

PART NUMBER	SIZE	□	⊞
T431CX053	1/2"x15	1	20

T432C



► Straight thermostatic valve for towel-dryer, **brilliant chrome plated**, with adaptor.

PART NUMBER	SIZE	□	⊞
T432CX053	1/2"x15	1	20



TECHNICAL CATALOGUE

AQUARIUS
STELLA
GLOBE

T29C



► Angle lockshield valve for towel-dryer, **brilliant chrome plated**, with adaptor.

PART NUMBER	SIZE		
T29CX053	1/2"x15	1	20

T31C



► Straight lockshield valve for towel-dryer, **brilliant chrome plated**, with adaptor.

PART NUMBER	SIZE		
T31CX053	1/2"x15	1	20

T470C



► Thermostatic head with liquid sensor, **brilliant chrome plated**.

PART NUMBER	SIZE		
T470CX003	-	1	50

R25BS Aquarius 10



► Full flow valve to BS 2767-10 polished chrome finish, screw top handwheel.

PART NUMBER	SIZE	□	⊞
R25BSX013	1/2"x15	10	100

R29BS Aquarius 10



► Full flow lockshield valve to BS 2767-10, polished chrome finish, screw top handwheel.

PART NUMBER	SIZE	□	⊞
R29BSX013	1/2"x15	10	100

22

R25GB Aquarius



► Angle "AQUARIUS" wheelhead valve, satin or polished chrome finish.

	PART NUMBER	SIZE	□	⊞
SATIN	R25GBX001	1/2"x8	10	100
	R25GBX002	1/2"x10	10	100
	R25GBX003	1/2"x15	10	100
POLISHED	R25GBX011	1/2"x8	10	100
	R25GBX012	1/2"x10	10	100
	R25GBX013	1/2"x15	10	100

R27GB Aquarius



► Straight "AQUARIUS" wheelhead valve, satin or polished chrome finish.

	PART NUMBER	SIZE	□	⊞
SATIN	R27GBX003	1/2"x15	10	100
	R27GBX013	1/2"x15	10	100
POLISHED				



TECHNICAL CATALOGUE

AQUARIUS
STELLA
GLOBE

R29GB Aquarius



► Angle "AQUARIUS" lockshield valve, satin or polished chrome finish.

R31GB Aquarius



► Straight "AQUARIUS" lockshield valve, satin or polished chrome.

R725-2 Stella



► Angle "STELLA" wheelhead valve, satin or polished, chrome finish.

R729-2 Stella



► Angle "STELLA" wheelhead lockshield, satin or polished, chrome finish.

	PART NUMBER	SIZE	□	⊞
SATIN	R29GBX001	1/2"x8	10	100
	R29GBX002	1/2"x10	10	100
	R29GBX003	1/2"x15	10	100
POLISHED	R29GBX011	1/2"x8	10	100
	R29GBX012	1/2"x10	10	100
	R29GBX013	1/2"x15	10	100

	PART NUMBER	SIZE	□	⊞
SATIN	R31GBX003	1/2"x15	10	100
POLISHED	R31GBX013	1/2"x15	10	100

	PART NUMBER	SIZE	□	⊞
SATIN	R725X001	1/2"x8	10	100
	R725X002	1/2"x10	10	100
	R725X003	1/2"x15	10	100
POLISHED	R725X011	1/2"x8	10	100
	R725X012	1/2"x10	10	100
	R725X013	1/2"x15	10	100

	PART NUMBER	SIZE	□	⊞
SATIN	R729X001	1/2"x8	10	100
	R729X002	1/2"x10	10	100
	R729X003	1/2"x15	10	100
POLISHED	R729X011	1/2"x8	10	100
	R729X012	1/2"x10	10	100
	R729X013	1/2"x15	10	100

R729S



► Angle "STELLA" wheelhead lockshield polished chrome finish, with draining.

PART NUMBER	SIZE	□	⊞
R729SX032	1/2"x10	10	50
R729SX033	1/2"x15	10	50

R411GB



► Angle valve with special cover to protect body before assembling thermostatic head, chrome plated, compression end.

PART NUMBER	SIZE	□	⊞
R411X011	1/2"x8	10	100
R411X012	1/2"x10	10	100
R411X013	1/2"x15	10	100

24

R411B Reversible



► Angle valve fully reversible 15 mm valve body, polished chrome finish, with shut of valve.

PART NUMBER	SIZE	□	⊞
R411BX003	1/2"x15	10	100

R452



► Thermostatic head with wax sensor.

PART NUMBER	SIZE	□	⊞
R452X109	-	1	50



TECHNICAL CATALOGUE

AQUARIUS
STELLA
GLOBE

R173TG



► Universal adjustable
self-sealing tail piece.

For use with new
self sealing manual valve.

PART NUMBER	SIZE	□	⊞
R173X033	1/2"	25	250

R173



► Universal adjustable
tail piece.

For use with previous
manual valve series.

PART NUMBER	SIZE	□	⊞
R173X003	1/2"	25	250

R88I



► Automatic air vent valve with
isolating valve, brass finish.

PART NUMBER	SIZE	□	⊞
R88IY002	3/8"	1	100
R88IY003	1/2"	1	100

R99I



► Automatic air vent valve, with
isolating valve, brass finish.

PART NUMBER	SIZE	□	⊞
R99IY002	3/8"	1	50
R99IY003	1/2"	1	50

This technical communication has an indicative value. Giacomini S.p.A. has the right to make in anytime, without previous advice, modifications to the products contained in the present communication for technical or commercial reasons. Information reported in this technical communication does not free the user from scrupulously following the existing technical instructions. A reproduction, also partial, of the text is forbidden, except for previously written authorisation from the Management.



GIACOMINI SALES (UK) Ltd
Unit 3, Goodrich Close
Westerleigh Business Park
Yate, South Gloucestershire
United Kingdom